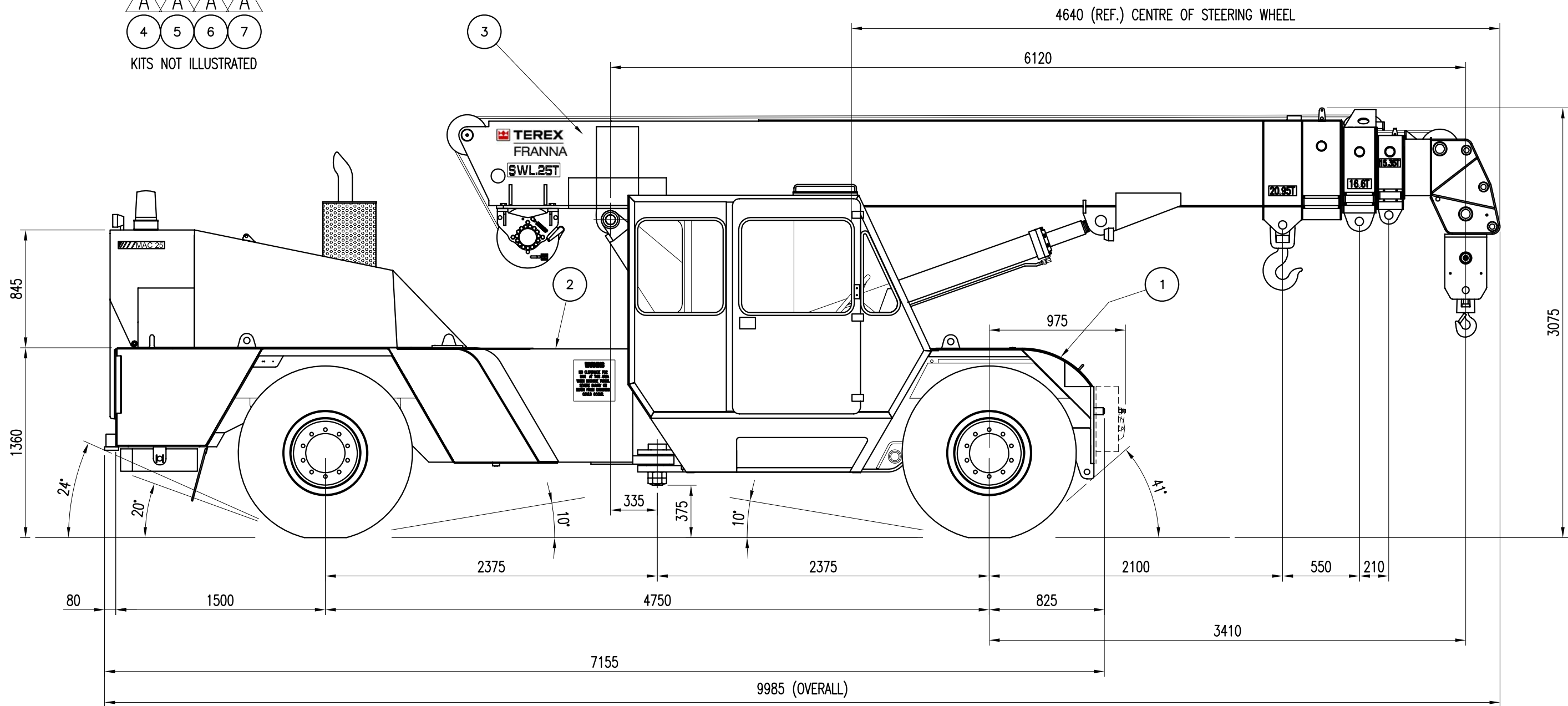
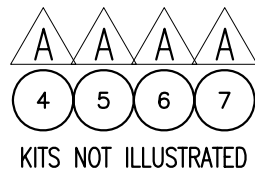


**UNCONTROLLED DOCUMENT
THIS COPY WILL NOT BE UPDATED**



NOMINAL TARE: (C/WEIGHT REAR)
 FRONT : 9850 kg
 REAR : 14040 kg
 TOTAL : 23900 kg

NOMINAL TARE: (C/WEIGHT FRONT)
 FRONT : 11900 kg
 REAR : 12000 kg
 TOTAL : 23900 kg

TURNING RADIUS : 7900mm
 WIDTH : 2720mm

						UNLESS OTHERWISE STATED ALL WELDING TO AS1554 CATEGORY SP AND ALL DIMENSIONS IN (mm) & TOLERENCED TO LIMITS SHOWN.				AS 1100 DO NOT SCALE		DATE	11/02/04
						NOMINAL SIZE				SHEET SIZE		DRN	SR
						MACHINING				SCALE 1:30		APPD	
						FABRICATION				SCALE 1:30		APPD	
						Title				DRG No.		REV	
						TEREX FRANNA				MAC 25 OM906 REPTO 3000 GEN4 MAC 25 SERIES III		A	
						A.B.N. 86 010 671 048				MC25-A-1-055			

